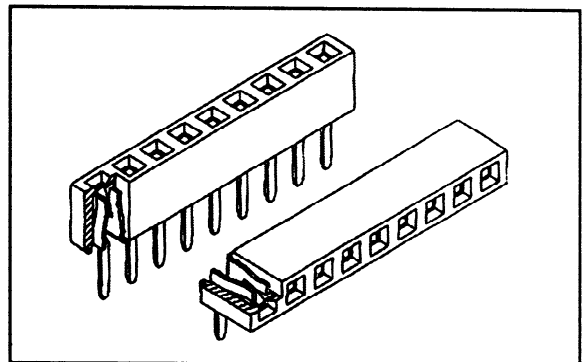


Features

- * Mates with #0063, #9004, #9007
- * Material : Housing - Polyester UL 94v - 0
 Contact - Phosphor Bronze..
- * Plating : Selective Gold on Contact.
- * Temperature : - 40° C to 105° C.
- * Electrical : Current 1Amp.
 Insulation resistance 500 M ohms
 Dielectric 500 VAC



Order Information

Part Number	Plating - Contact	Plating Solder tail	Remarks
9058 - 0413	Gold Flash	100 micro inch Pb/sn	
9058 - 0613	Gold Flash	100 micro inch Pb/sn	
9058 - 0813	Gold Flash	100 micro inch Pb/sn	
9058 - 1013	Gold Flash	100 micro inch Pb/sn	
9058 - 1213	Gold Flash	100 micro inch Pb/sn	
9058 - 1413	Gold Flash	100 micro inch Pb/sn	
9058 - 1613	Gold Flash	100 micro inch Pb/sn	
9058 - 1813	Gold Flash	100 micro inch Pb/sn	
9058 - 2013	Gold Flash	100 micro inch Pb/sn	
9058 - 2413	Gold Flash	100 micro inch Pb/sn	
9058 - 2813	Gold Flash	100 micro inch Pb/sn	
9058 - 3213	Gold Flash	100 micro inch Pb/sn	
9058 - 3613	Gold Flash	100 micro inch Pb/sn	
9058 - 4013	Gold Flash	100 micro inch Pb/sn	