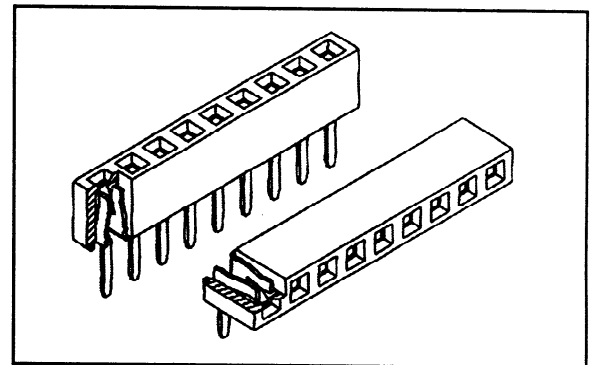


## Features

- \* Mates with #0063, #9004, #9007
- \* Material : Housing - Polyester UL 94v - 0  
Contact - Phosphor Bronze..
- \* Plating : Selective Gold on Contact.
- \* Temperature : - 40° C to 105° C.
- \* Electrical : Current 1Amp.  
Insulation resistance 500 M ohms  
Dielectric 500 VAC



## Order Information

Part Number	No of Ckts	Plating - Contact	Plating Solderail	A.	B.
9055 - 0613	6	Gold Flash	100 micro inch Pb/sn	15.24	12.70
9055 - 0813	8	Gold Flash	100 micro inch Pb/sn	20.32	17.78
9055 - 1013	10	Gold Flash	100 micro inch Pb/sn	25.40	22.86
9055 - 1213	12	Gold Flash	100 micro inch Pb/sn	30.48	27.94
9055 - 1413	14	Gold Flash	100 micro inch Pb/sn	35.56	33.02
9055 - 1613	16	Gold Flash	100 micro inch Pb/sn	40.64	38.10
9055 - 1813	18	Gold Flash	100 micro inch Pb/sn	45.72	43.18
9055 - 2013	20	Gold Flash	100 micro inch Pb/sn	50.80	48.26
9055 - 2413	24	Gold Flash	100 micro inch Pb/sn	60.96	58.42
9055 - 2813	28	Gold Flash	100 micro inch Pb/sn	71.12	68.58
9055 - 3213	32	Gold Flash	100 micro inch Pn/sn	81.28	78.74
9055 - 3413	34	Gold Flash	100 Micro inch Pb/sn	91.44	88.90
9055 - 4013	40	Gold Flash	100 micro inch Pb/sn	101.60	99.06