

Features

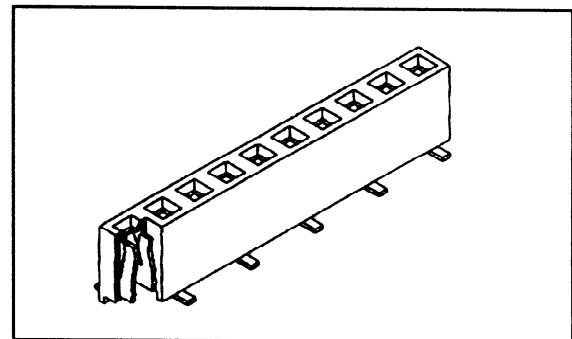
* Low Profile. Mates with Industry standard 2.0 mm headers.
Mating parts #9053, #9002/3.

* Material : Housing - Polyester UL 94v - 0
 Contact - Phosphor Bronze

* Plating : Selective Gold on Contact.

* Temperature : -40 ° C to 105 ° C

* Electrical : Current 1A
 Insulation resistance 5000 M ohms. min.
 Dielectric 500 VAC.



Order Information

Part Number	No of Ckts	Plating-Contact	Plating Solder tail	A.	B.
9053 - 0413	4	Gold Flash	100 micro inch Pb/sn	8.00	6.00
9053 - 0613	6	Gold Flash	100 micro inch Pb/sn	12.00	10.00
9053 - 0813	8	Gold Flash	100 micro inch Pb/sn	16.00	14.00
9053 - 1013	10	Gold Flash	100 micro inch Pb/sn	20.00	18.00
9053 - 1213	12	Gold Flash	100 micro inch Pb/sn	24.00	22.00
9053 - 1413	14	Gold Flash	100 micro inch Pb/sn	28.00	26.00
9053 - 1613	16	Gold Flash	100 micro inch Pb/sn	32.00	30.00
9053 - 1813	18	Gold Flash	100 micro inch Pb/sn	36.00	34.00
9053 - 2013	20	Gold Flash	100 micro inch Pb/sn	40.00	38.00
9053 - 2413	24	Gold Flash	100 micro inch Pb/sn	48.00	46.00
9053 - 2813	28	Gold Flash	100 micro inch Pb/sn	56.00	54.00
9053 - 3213	32	Gold Flash	100 micro inch Pb/sn	64.00	62.00
9053 - 3613	36	Gold Flash	100 micro inch Pb/sn	72.00	70.00
9053 - 4013	40	Gold Flash	100 micro inch Pb/sn	80.00	78.00