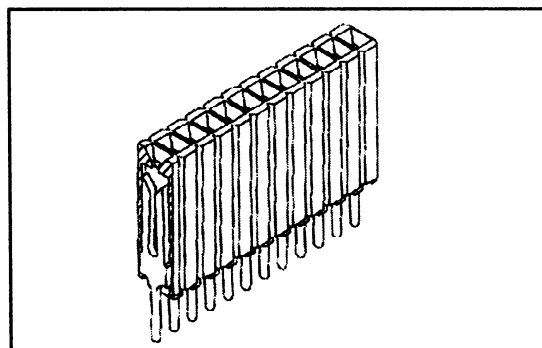


## Features

- \* High Density. Variable circuit sizes to suit all needs  
Mating parts #0022.
- \* Material :       Housing - High temperature plastic UL 94v - 0.  
                      Contact - Phosphor Bronze
- \* Plating :         Refer to chart
- \* Temperature :   -40 °C to 105 °C
- \* Electrical :      Current 1A  
                      Insulation resistance 5000 m ohms. min.  
                      Dielectric 500 VAC 1 min.



## Order Information

Part Number	No of Ckts	Plating-Contact	Plating Soldertail	A.	B.
9052 - 0413	4	Gold Flash	100 micro inch Pb/sn	5.08	3.81
9052 - 0613	6	Gold Flash	100 micro inch Pb/sn	7.62	6.35
9052 - 0813	8	Gold Flash	100 micro inch Pb/sn	10.16	8.89
9052 - 1013	10	Gold Flash	100 micro inch Pb/sn	12.70	11.43
9052 - 1213	12	Gold Flash	100 micro inch Pb/sn	15.24	13.97
9052 - 1413	14	Gold Flash	100 micro inch Pb/sn	17.78	16.51
9052 - 1613	16	Gold Flash	100 micro inch Pb/sn	20.32	19.05
9052 - 1813	18	Gold Flash	100 micro inch Pb/sn	22.86	21.59
9052 - 2013	20	Gold Flash	100 micro inch Pb/sn	25.40	24.13
9052 - 2413	24	Gold Flash	100 micro inch Pb/sn	30.48	29.21
9052 - 2813	28	Gold Flash	100 micro inch Pb/sn	35.56	34.29
9052 - 3213	32	Gold Flash	100 micro inch Pb/sn	40.64	39.37
9052 - 3613	36	Gold Flash	100 micro inch Pb/sn	45.72	44.45
9052 - 4013	40	Gold Flash	100 micro inch Pb/sn	50.80	49.53