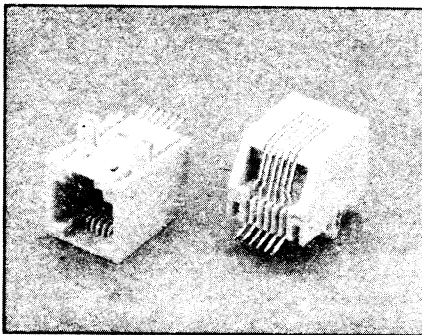
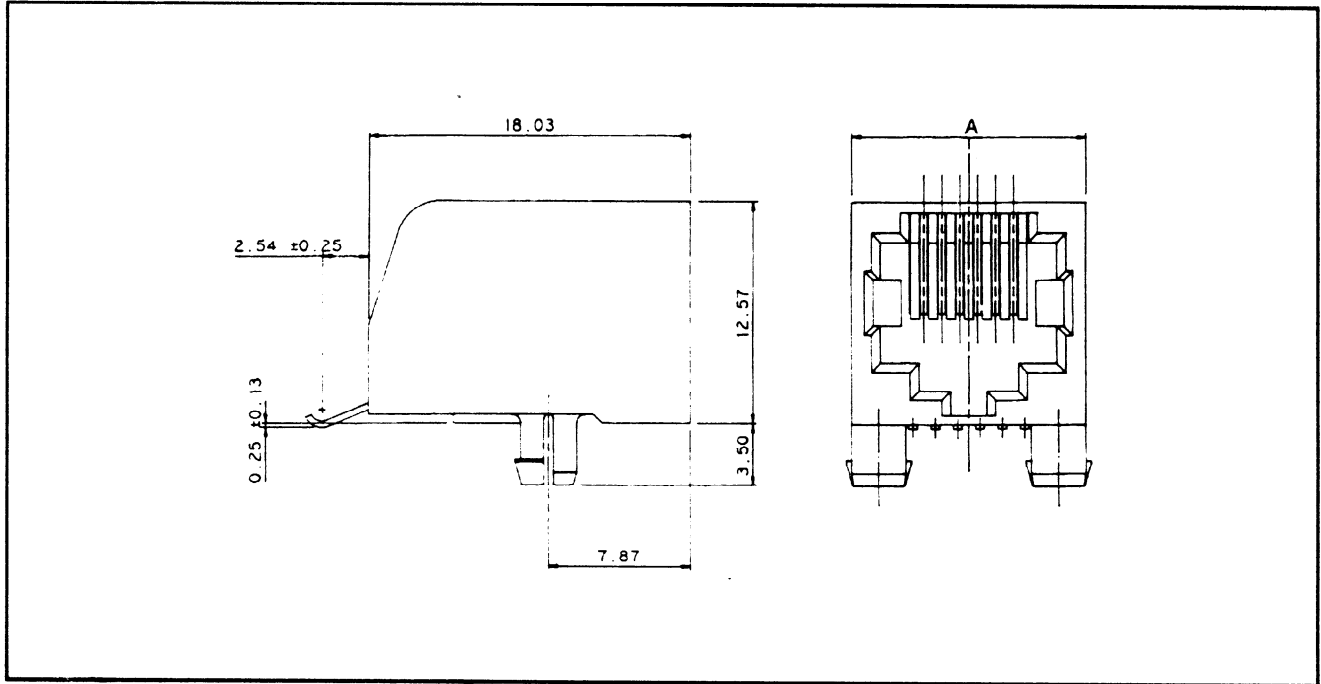




# 6019 - SMT

## Side Entry PCB Jack, SMT



### Features

- \* Industry Standard Phone Jacks with stress relieve mounting pegs.
- \* Material : Glass Filled Polyester, UL 94V-0 Grey
- \* Contact : 0.35 mm thick C5210 Alloy  
Selective Gold Plating On Contact  
Standard Thickness : 5 micro-inch over Nickel Base  
Other Thickness contact Sales

### Order Information

Part Number	No of Position	No of Filled Position
6019-0602-SMT	6	2
6019-0604-SMT	6	4
6019-0606-SMT	6	6
6019-0802-SMT	8	2
6019-0804-SMT	8	4
6019-0806-SMT	8	6
6019-0808-SMT	8	8