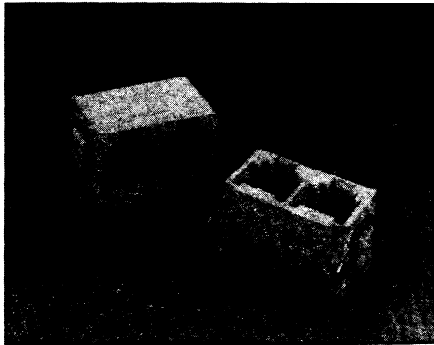
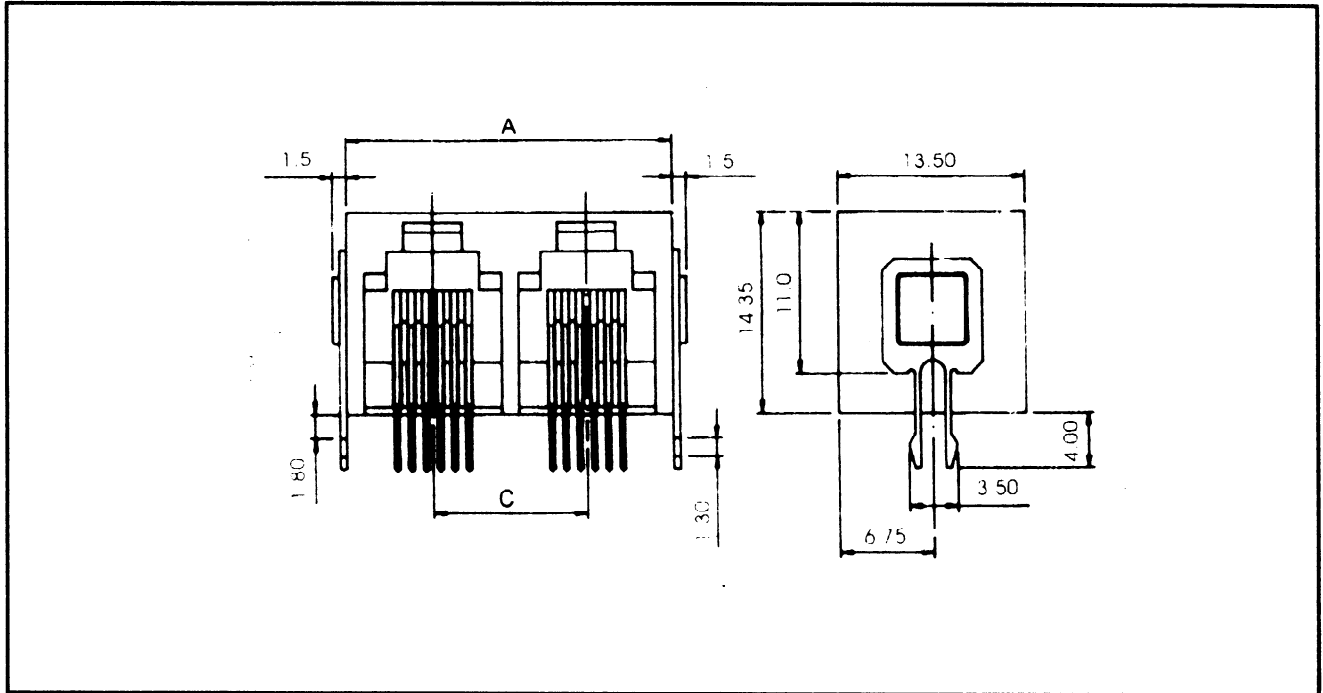




6015

Multi Port Side Entry, Metal Latch



Features

- * Industry Standard Phone Jacks with stress relieve mounting pegs.
- * Material : Glass Filled Polyester, UL 94V-0 Grey
- * Contact : 0.46 mm diameter C5210 Alloy
Selective Gold Plating On Contact
Standard Thickness : 5 micro-inch over Nickel Base
Other Thickness contact Sales

Order Information

(Please refer next page)

Order Information

Part Number	No of Position	No of Filled Position	No of Ports	A	B	C
6015-0602-02	6	2	2	23.3	23.5	11.0
6015-0604-02	6	4	2	23.3	23.5	11.0
6015-0606-02	6	6	2	23.3	23.5	11.0
6015-0602-03	6	2	3	34.3	34.5	22.0
6015-0604-03	6	4	3	34.3	34.5	22.0
6015-0606-03	6	6	3	34.3	34.5	22.0
6015-0602-04	6	2	4	45.3	45.5	33.0
6015-0604-04	6	4	4	45.3	45.5	33.0
6015-0606-04	6	6	4	45.3	45.5	33.0
6015-0602-05	6	2	5	56.3	56.5	44.0
6015-0604-05	6	4	5	56.3	56.5	44.0
6015-0606-05	6	6	5	56.3	56.5	44.0
6015-0602-06	6	2	6	67.3	67.5	55.0
6015-0604-06	6	4	6	67.3	67.5	55.0
6015-0606-06	6	6	6	67.3	67.5	55.0
6015-0602-07	6	2	7	78.3	78.5	66.0
6015-0604-07	6	4	7	78.3	78.5	66.0
6015-0606-07	6	6	7	78.3	78.5	66.0
6015-0602-08	6	2	8	89.3	89.5	77.0
6015-0604-08	6	4	8	89.3	89.5	77.0
6015-0606-08	6	6	8	89.3	89.5	77.0
6015-0602-09	6	2	9	100.3	100.5	88.0
6015-0604-09	6	4	9	100.3	100.5	88.0
6015-0606-09	6	6	9	100.3	100.5	88.0
6015-0602-10	6	2	10	111.3	111.5	99.0
6015-0604-10	6	4	10	111.3	111.5	99.0
6015-0606-10	6	6	10	111.3	111.5	99.0
6015-0602-11	6	2	11	122.3	122.5	110.0
6015-0604-11	6	4	11	122.3	122.5	110.0
6015-0606-11	6	6	11	122.3	122.5	110.0
6015-0602-12	6	2	12	133.3	133.5	121.0
6015-0604-12	6	4	12	133.3	133.5	121.0
6015-0606-12	6	6	12	133.3	133.5	121.0