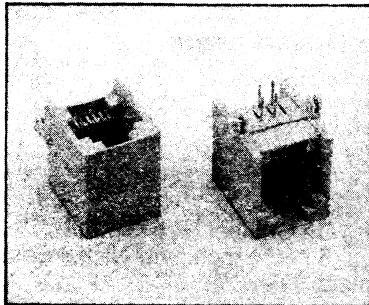
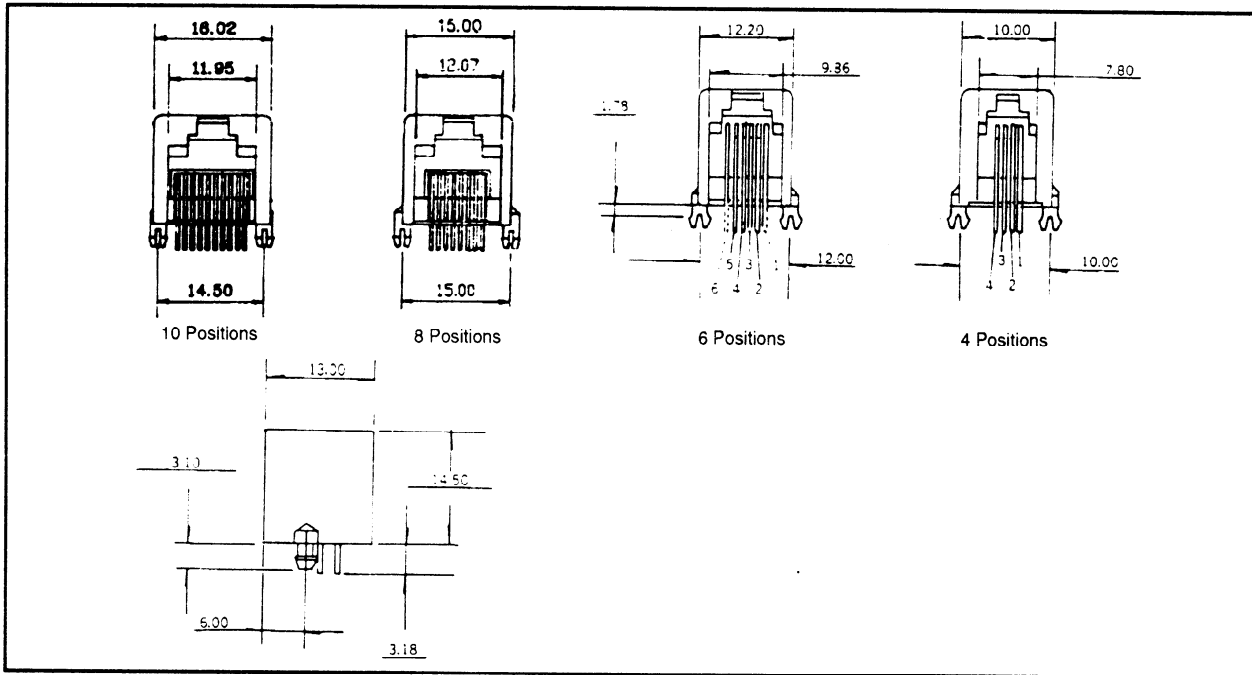




6008

PCB Jack, Mini Low Profile



Features

- * Industry Standard Phone Jacks with stress relieve mounting pegs.
- * Material : Glass Filled Polyester, UL 94V-0
Standard Color - Grey
- * Contact : 0.46 mm diameter C5210 Alloy
Selective Gold Plating On Contact
Standard Thickness : 5 micro-inch over Nickel Base
Other Thickness contact Sales

Order Information

Part Number	No of Position	No of Filled Position
6008-0402	4	2
6008-0404	4	4
6008-0602	6	2
6008-0604	6	4
6008-0606	6	6
6008-0802	8	2
6008-0804	8	4
6008-0806	8	6
6008-0808	8	8
6008-1004	10	4
6008-1006	10	6
6008-1008	10	8