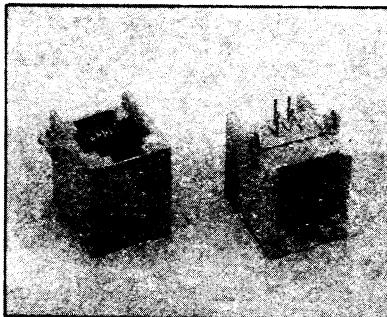
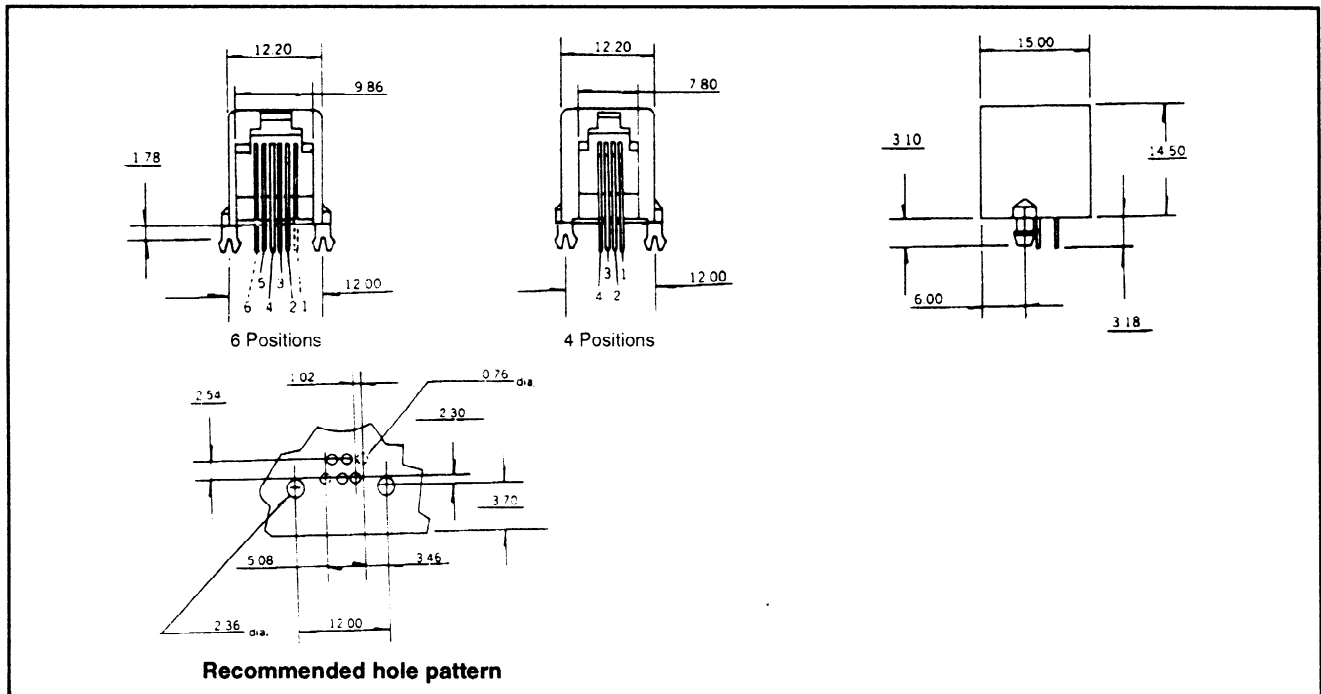




6007

PCB Jack, Low Profile



Features

- * Industry Standard Phone Jacks with stress relieve mounting pegs.
- * Material : Glass Filled Polyester, UL 94V-0
Standard Color - Grey
- * Contact : 0.46 mm diameter C5210 Alloy
Selective Gold Plating On Contact
Standard Thickness : 5 micro-inch over Nickel Base
Other Thickness contact Sales

Order Information

Part Number	No of Position	No of Filled Position
6007-0402	4	2
6007-0404	4	4
6007-0602	6	2
6007-0604	6	4
6007-0606	6	6