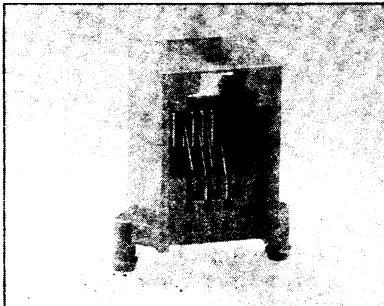
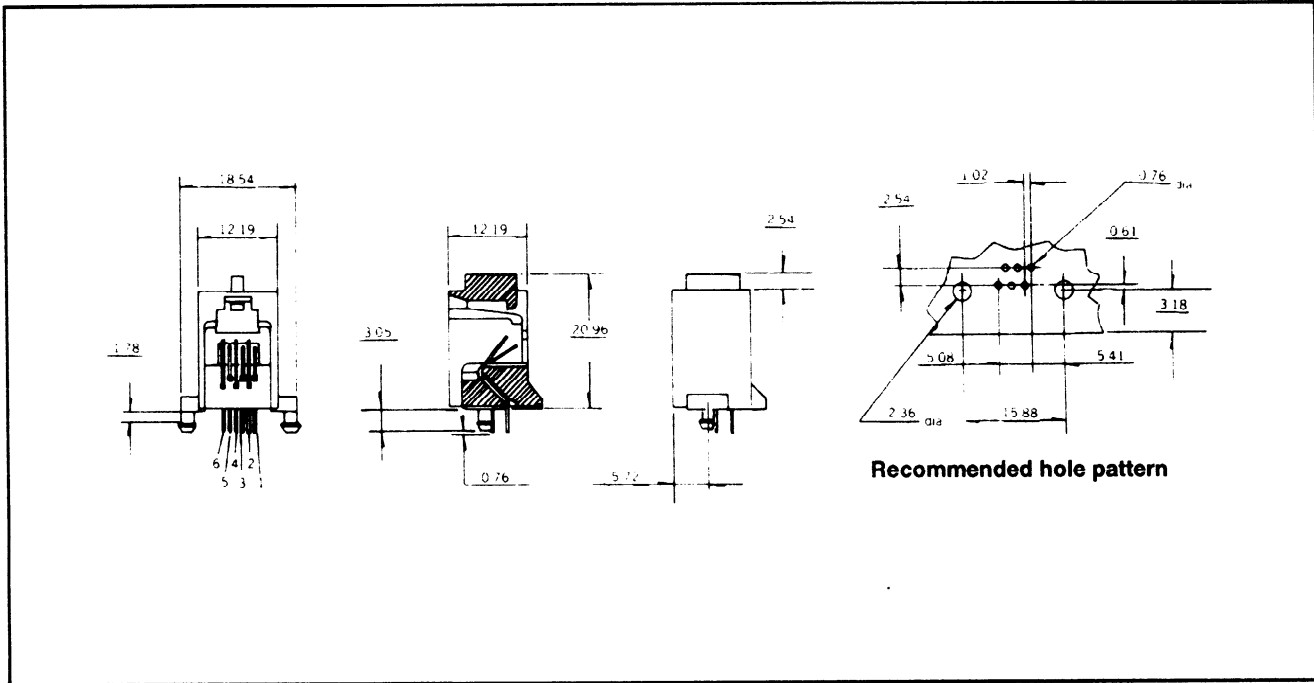




6005

PCB Jack, 616 & 623 Type



623 Type

Features

- * Industry Standard Phone Jacks with stress relieve mounting pegs.
- * Material : Glass Filled Polyester, UL 94V-0
Standard Color - Grey
- * Contact : 0.46 mm diameter C5210 Alloy
Selective Gold Plating On Contact
Standard Thickness : 5 micro-inch over Nickel Base
Other Thickness contact Sales

Order Information

Part Number	No of Position	No of Filled Position
6005-0402	4	2
6005-0404	4	4
6005-0602	6	2
6005-0604	6	4
6005-0606	6	6