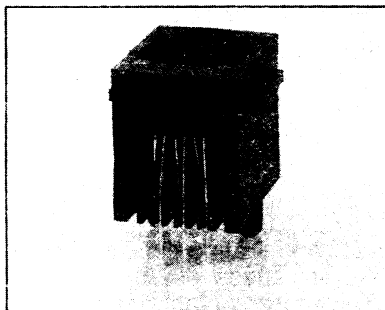
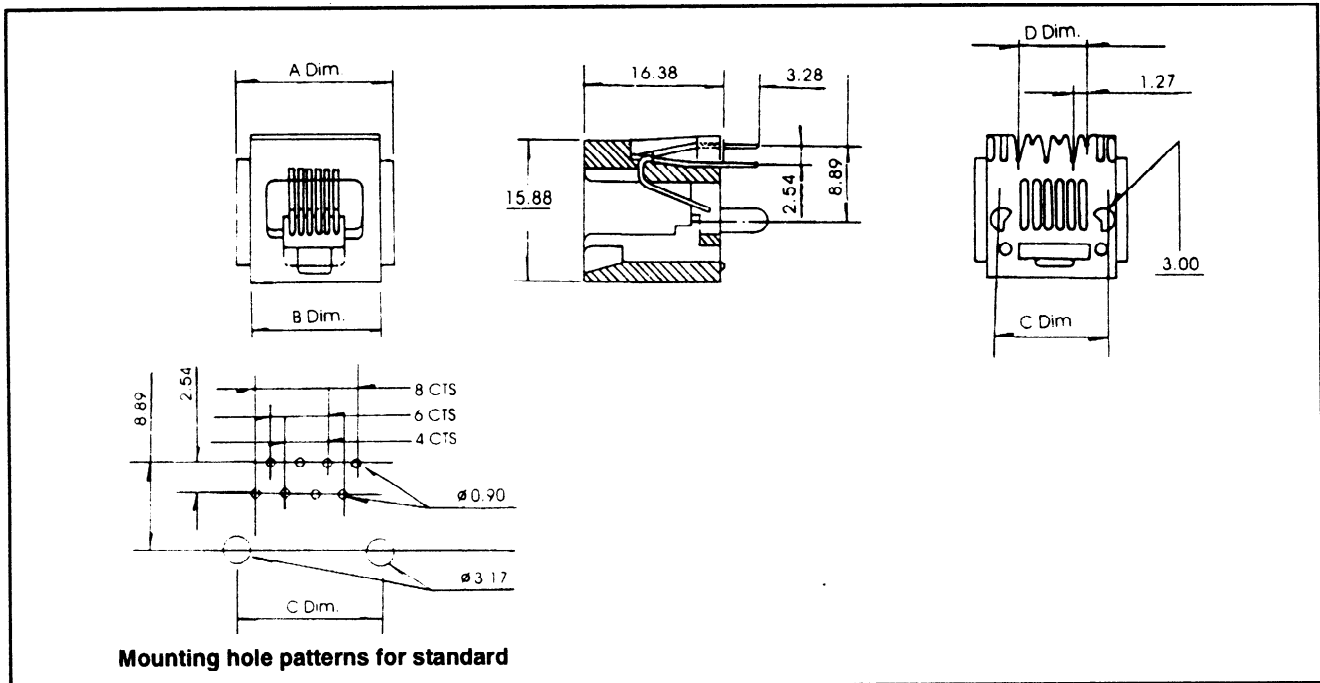




6002-F

PCB Jack, Top Entry With Flange



Features

- * Industry Standard Phone Jacks with stress relieve mounting pegs.
- * Material : Glass Filled Polyester, UL 94V-0 Black
- * Contact : 0.46 mm diameter C5210 Alloy
Selective Gold Plating On Contact
Standard Thickness : 5 micro-inch
Other Thickness contact Sales

Order Information

Part Number	No of Position	No of Filled Position	Dim A	Dim B	Dim C	Dim D
6002-0402	4	2	13.72	11.18	7.62	3.81
6002-0404	4	4	13.72	11.18	7.62	3.81
6002-0602	6	2	15.75	13.21	10.16	6.35
6002-0604	6	4	15.75	13.21	10.16	6.35
6002-0606	6	6	15.75	13.21	10.16	6.35
6002-0802	8	2	17.78	15.24	11.43	8.89
6002-0804	8	4	17.78	15.24	11.43	8.89
6002-0806	8	6	17.78	15.24	11.43	8.89
6002-0808	8	8	17.78	15.24	11.43	8.89