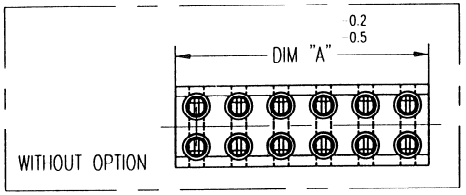
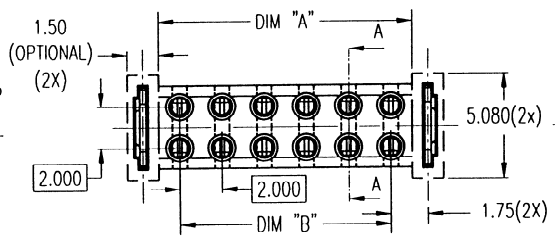


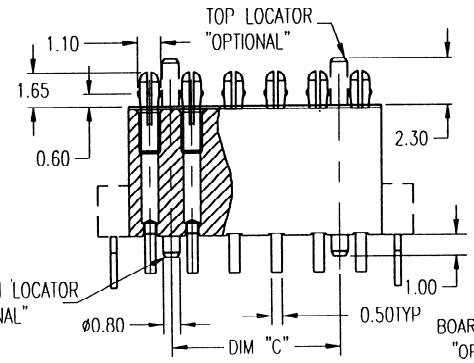
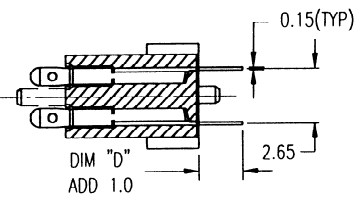
RECOMMENDED PCB LAYOUT FOR SOLDER TAIL SIDE



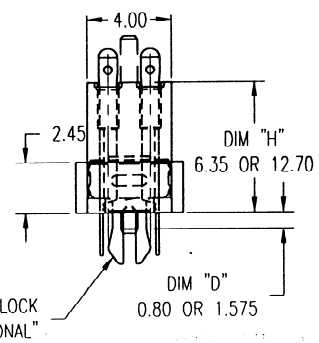
WITHOUT OPTION



SECTION A-A



BOTTOM LOCATOR "OPTIONAL"

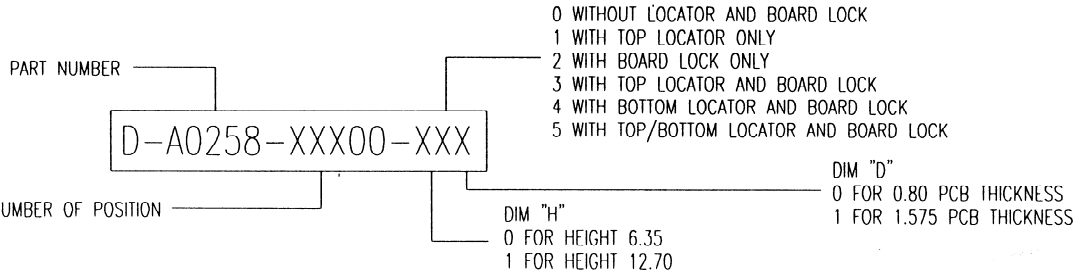



BOARD LOCK "OPTIONAL"

- NOTES:
- 1) HOUSING MATERIAL: NYLON 46 30% GF (94V-0) COLOR: BLACK.
 - 2) MAXIMUM FLASH ALLOWABLE: -0.125 MAX.
 - 3) CAVITY ID AND RANODA LOGO TO ENGRAVE ON EJECTOR PINS. CHARACTER AND EJECTOR TO BE FLUSH OR RECESS INTO THE HOUSING SURFACE.

ALL DIMENSIONS ARE IN MILLIMETRE		THIS INFORMATION HELD IN THE PROPERTY OF ANODA ELECTRONICS PTE LTD. THIS DRAWING IS STRICTLY FOR CONSTRUCTION PURPOSES ONLY. NO PARTS SHALL BE MANUFACTURED OR ASSEMBLED WITHOUT THE WRITTEN CONSENT FROM ANODA. THIS DRAWING SHALL BE VOID AND INVALID IN WHATEVER MANNER UNLESS OTHERWISE STATED.										ANODA ELECTRONICS PTE LTD 45 LOVANG DRIVE SINGAPORE 508954 TEL : 5457811 FAX : 5456189			
DIMENSIONAL CLASSIFICATION		TOL. UNLESS OTHERWISE STATED										PART NAME DOUBLE ROW HEADER 2.00MM PITCH (THRU HOLE)		PART NO. 0-A0238-XXXX-XXX	
<input checked="" type="checkbox"/> CRITICAL <input checked="" type="checkbox"/> MAJOR <input type="checkbox"/> SPEC		TO: RELEASE FOR MARKETING REV:	DATE: 04/05/99	DRNG: DRN	SEAH: CHK	SEAH: APPR	ITEM:	QTY:	DESCRIPTION:	PART NO.:	DECIMAL X = 0.050 Y = 0.250 Z = 0.125	ANGULAR X = 1° Y = 1° Z = 1/2°	SIZE: A4 SHEET: 11 OF 2 REV: XX	SCALE: 4:1	

PART NO	NO OF POS.	DIM "A"	DIM "B"	DIM "C"	NO OF LOCATOR	REV
D-A0258-00400-XXX	04	4.00	2.000	0.00	01	00
D-A0258-00600-XXX	06	6.00	4.000	2.00	02	00
D-A0258-00800-XXX	08	8.00	6.000	4.00	02	00
D-A0258-01000-XXX	10	10.00	8.000	6.00	02	00
D-A0258-01200-XXX	12	12.00	10.000	8.00	02	00
D-A0258-01400-XXX	14	14.00	12.000	10.00	02	00
D-A0258-01600-XXX	16	16.00	14.000	12.00	02	00
D-A0258-01800-XXX	18	18.00	16.000	14.00	02	00
D-A0258-02000-XXX	20	20.00	18.000	16.00	02	00
D-A0258-02200-XXX	22	22.00	20.000	18.00	02	00
D-A0258-02400-XXX	24	24.00	22.000	20.00	02	00
D-A0258-02600-XXX	26	26.00	24.000	22.00	02	00
D-A0258-02800-XXX	28	28.00	26.000	24.00	02	00
D-A0258-03000-XXX	30	30.00	28.000	26.00	02	00
D-A0258-03200-XXX	32	32.00	30.000	28.00	02	00
D-A0258-03400-XXX	34	34.00	32.000	30.00	02	00
D-A0258-03600-XXX	36	36.00	34.000	32.00	02	00
D-A0258-03800-XXX	38	38.00	36.000	34.00	02	00
D-A0258-04000-XXX	40	40.00	38.000	36.00	02	00



ALL DIMENSIONS ARE IN MILLIMETRE												THE INFORMATION HEREIN IS THE PROPERTY OF ANODA ELECTRONICS. IT IS TO BE SHOWN & STORED ON LOW, NOT TO BE COPIED IN ANY MANNER EXCEPT BY WRITTEN CONSENT FROM ANODA AND TO BE RETURNED TO ANODA.		 ANODA ELECTRONICS PTE LTD 45 LOYANG DRIVE SINGAPORE 508554 TEL : 5457811 FAX : 5456169			
DIMENSIONAL CLASSIFICATION												PART NAME DOUBLE ROW HEADER 2.00mm PITCH (THRU HOLE)		PART NO. D-A0258-XXXX-XXX			
<input checked="" type="checkbox"/> CRITICAL <input checked="" type="checkbox"/> MAJOR <input type="checkbox"/> SPC												TOL. UNLESS OTHERWISE STATED DEF:MM ANO:BAR XX = 10/50 X = 1/2 XXX = 10/25 XX = 1/2/2		SIZE A4 SHEET 2 OF 2 REV. XX SCALE N15			
CO	RELEASE FOR MARKETING	04/06/99	THONG	SEAH	SEAH												
REV	DESCRIPTION	DATE	DRN	CHK	APPR	ITEM	QTY	DESCRIPTION				PART NO.					
REVISIONS												REFERENCE DRAWING					