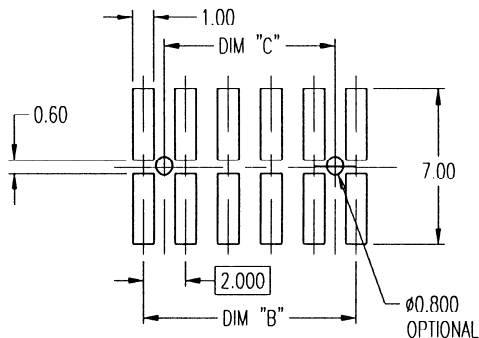
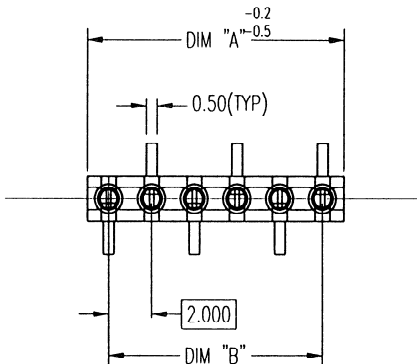
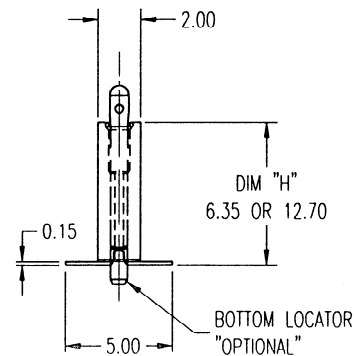
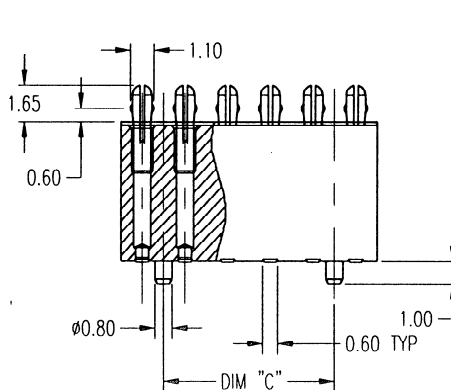


RECOMMENDED PCB LAYOUT FOR CONTACT AREA



RECOMMENDED PCB LAYOUT FOR SOLDER TAIL SIDE



NOTES:

- 1) HOUSING MATERIAL: NYLON 46 30% GF (94V-0) COLOR: BLACK.
- 2) MAXIMUM FLASH ALLOWABLE:  $-0.125$  MAX.
- 3) CAVITY ID AND ANODIA LOGO TO ENGRAVE ON EJECTOR PINS. CHARACTER AND EJECTOR TO BE FLUSH OR RECESS INTO THE HOUSING SURFACE.

NO	DESCRIPTION	DATE	DRN	CHK	APPR	ITFW	QTY	DESCRIPTION	PART NO.
00	RELEASE FOR MARKETING	04/06/99	PHONG	SEAH	SEAH				
REV									

ALL DIMENSIONS ARE IN MILLIMETRE

THE INFORMATION HEREIN IS THE PROPERTY OF ANODIA ELECTRONICS. PLEASE DO NOT DISCLOSE OR, IN ANY MANNER, REPRODUCE OR TRANSMIT THIS INFORMATION WITHOUT THE WRITTEN CONSENT FROM ANODIA AND TO BE RETURNED IMMEDIATELY ON DEMAND. THIS INFORMATION WILL BE USED SOLELY IN CONNECTION WITH YOUR PURCHASE ONLY.

TOL. UNLESS OTHERWISE STATED

DECIMAL ANGULAR

X = ±0.50      ° = ±5

XX = ±0.25      ' = ±1'

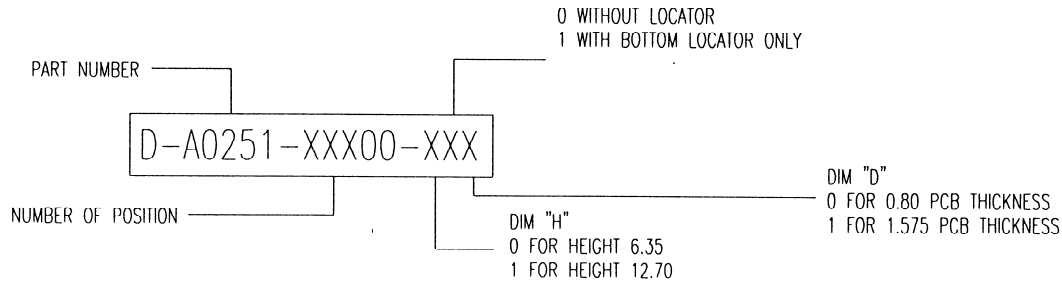
XXX = ±0.13      'X = ±1/2'

**ANODIA ELECTRONICS PTE LTD**  
 45 LOYANG DRIVE SINGAPORE 508954  
 TEL : 54578111 FAX : 5456160

PART NAME: SINGLE ROW HEADER  
 2.00mm PITCH (SMT)

PART NO: 0-A0251-XXXX-XXX  
 SIZE: A4    SHEET: 1 OF 2    REV: XX  
 MATERIAL:    SCALE: 4:1

PART NO	NO OF POS.	DIM "A"	DIM "B"	DIM "C"	NO OF LOCATOR	REV
D-A0251-00400-XXX	04	8.00	6.000	4.00	02	00
D-A0251-00600-XXX	06	12.00	10.000	8.00	02	00
D-A0251-00800-XXX	08	16.00	14.000	12.00	02	00
D-A0251-01000-XXX	10	20.00	18.000	16.00	02	00
D-A0251-01200-XXX	12	24.00	22.000	20.00	02	00
D-A0251-01400-XXX	14	28.00	26.000	24.00	02	00
D-A0251-01600-XXX	16	32.00	30.000	28.00	02	00
D-A0251-01800-XXX	18	36.00	34.000	32.00	02	00
D-A0251-02000-XXX	20	40.00	38.000	36.00	02	00



ALL DIMENSIONS ARE IN MILLIMETRE												THE INFORMATION HEREIN IS THE PROPERTY OF ANODA ELECTRONICS PTE LTD AND SHOULD BE KEPT STRICTLY CONFIDENTIAL. IT IS TO BE USED ONLY FOR THE PURPOSES SPECIFIED IN THE ORDER. ANY REUSE OR DISSEMINATION OF THIS INFORMATION WILL BE SOLELY AT THE USER'S RISK.		 45 LOYANG DRIVE SINGAPORE 508554 TEL : 5457811 FAX : 5456169				
DIMENSIONAL CLASSIFICATION												TOL. UNLESS OTHERWISE STATED						
<input type="checkbox"/> CRITICAL <input checked="" type="checkbox"/> MAJOR <input type="checkbox"/> MINOR												TOTAL ANGLE(S) X - 18.50    Y - 1.2 Z - 18.75    R - 1.7 XXX - 18.15    XX - 11.7		PART NAME <b>SINGLE ROW HEADER</b> 2.00mm PITCH (SMT) MATERNAL		PART NO. <b>D-A0251-XXX00-XXX</b> SIZE A4 SHEET 2 OF 2 REV. XX SCALE 1:1		
DO	RELEASE FOR MARKETING	04/06/99	THONG	SEAH	SEAH	SEAH	SEAH	SEAH	SEAH	SEAH	SEAH	SEAH	SEAH	SEAH	SEAH	SEAH	SEAH	SEAH
REV	DESCRIPTION	DATE	DRN	CHK	APPR	ITEM	QTY	DESCRIPTION	PART NO.									
										REVISIONS		REFERENCE DRAWING						