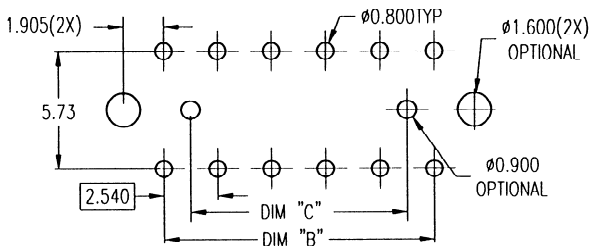


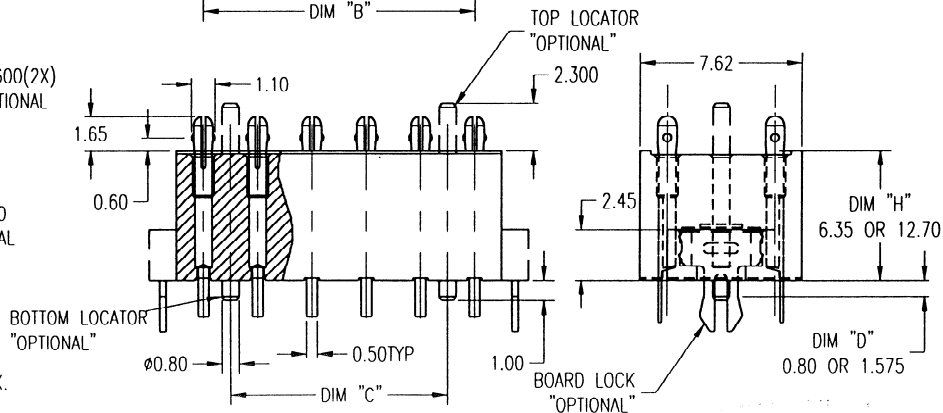
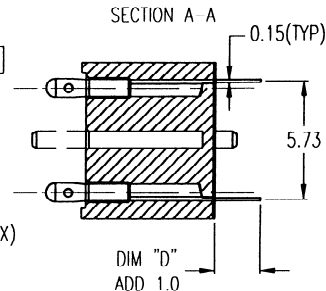
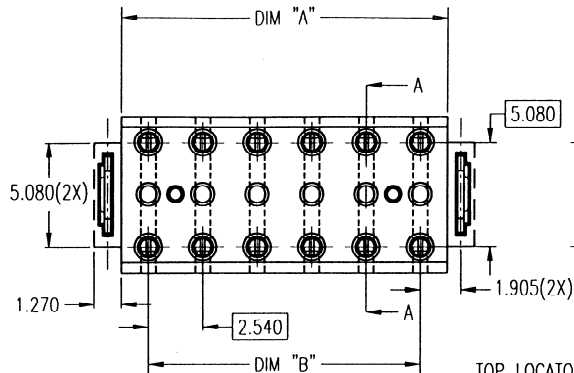
RECOMMENDED PCB LAYOUT FOR CONTACT AREA



RECOMMENDED PCB LAYOUT FOR SOLDER TAIL SIDE

NOTES:

- 1) HOUSING MATERIAL: NYLON 46 30% GF (94V-0) COLOR: BLACK.
- 2) MAXIMUM FLASH ALLOWABLE: -0.125 MAX.
- 3) CAVITY ID AND RANODA LOGO TO ENGRAVE ON EJECTOR PINS. CHARACTER AND EJECTOR TO BE FLUSH OR RECESS INTO THE HOUSING SURFACE.



ALL DIMENSIONS ARE IN MILLIMETRE		DIMENSIONAL CLASSIFICATION		DIMENSIONS		REVISIONS		REFERENCE DRAWING	
NO	RELEASE FOR MARKETING	DATE	DRN	CHK	APPR	ITEM	QTY	DESCRIPTION	PART NO.

THIS INFORMATION IS THE PROPERTY OF ANODA ELECTRONICS PTE LTD. THE USER SHALL BE RESPONSIBLE FOR THE PROTECTION OF THIS INFORMATION. THE USER SHALL NOT BE HELD RESPONSIBLE FOR THE REPRODUCTION OF THIS INFORMATION IN ANY MANNER EXCEPT AS SPECIFICALLY AGREED IN WRITING. THE INFORMATION WILL BE USED SOLELY IN CONNECTION TO THE PURPOSES ONLY.

TOL. UNLESS OTHERWISE STATED:
 DECIMAL ANGULAR
 X = ±0.30 ± 1°
 XX = ±0.25 ± 0.5°
 XXX = ±0.15 ± 0.2°

ANODA ELECTRONICS PTE LTD
 45 LOYANG DRIVE SINGAPORE 509954
 TEL: 5457811 FAX: 5456169

PART NAME: DUAL ROW HEADER
 2.54mmx5.08mm PITCH
 (THRU HOLE)

PART NO: D-A0249-XXXX-XXX
 SIZE: A4
 SHEET: 1 OF 2
 REV: 2X
 SCALE: 4:1

