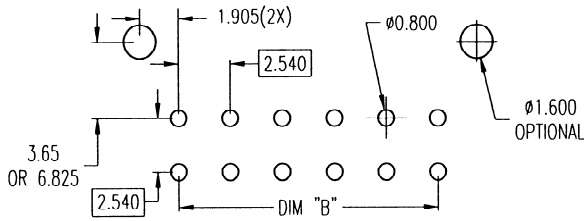
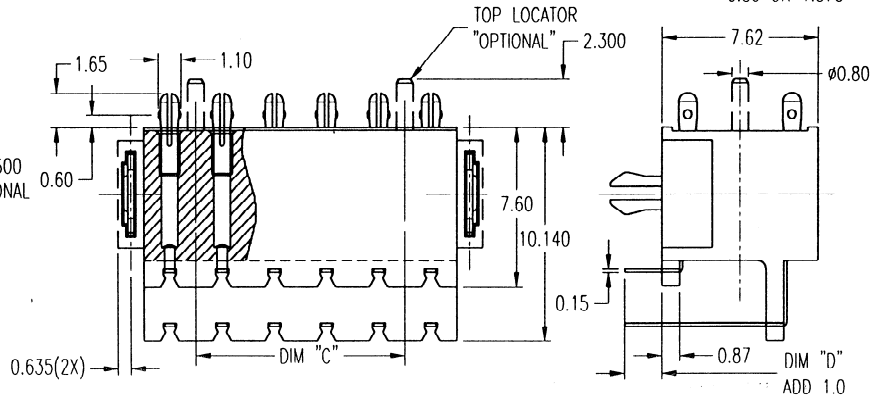
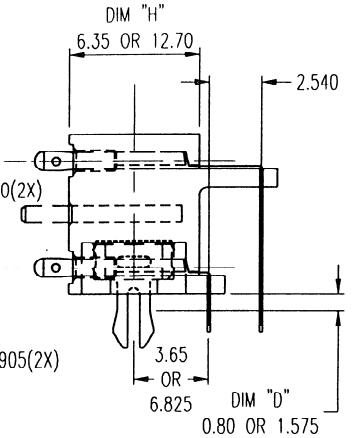
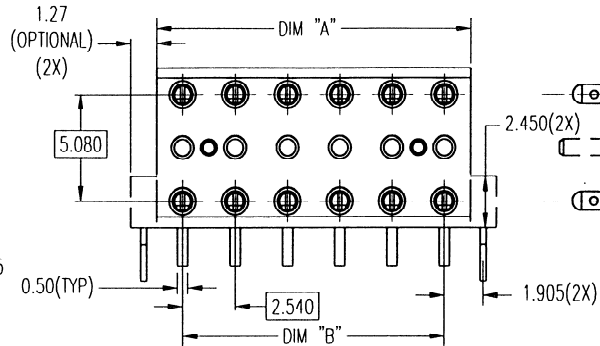


RECOMMENDED PCB LAYOUT
FOR CONTACT AREA



RECOMMENDED PCB LAYOUT
FOR SOLDER TAIL SIDE



NOTES:

- 1) HOUSING MATERIAL: NYLON 46 30% GF (94V-0) COLOR: BLACK.
- 2) MAXIMUM FLASH ALLOWABLE: -0.125 MAX.
- 3) CAVITY ID AND RANODA LOGO TO ENGRAVE ON EJECTOR PINS. CHARACTER AND EJECTOR TO BE FLUSH OR RECESS INTO THE HOUSING SURFACE.

ALL DIMENSIONS ARE IN MILLIMETRE		THE INFORMATION SHOWN IN THE PROPERTY OF RANODA ELECTRONICS. FOR THE THE DESIGN IS STRICTLY CONFIDENTIAL AND IS TO BE KEPT AS SUCH UNLESS EXPLICITLY IN WRITING CONSENT FROM RANODA INC. IS NOT OBTAINED IN WRITING.		 45 LIDYANG DRVA, SINGAPORE 508554 TEL : 5457811 FAX : 5456169	
DIMENSIONAL CLASSIFICATION		THE UNLESS OTHERWISE STATED ORIGINAL A3050 X = 17 2X = 10.75 X = 17 3X = 10.75 X = 17		PART NAME DUAL ROW HEADER 2.54mmX5.08mm PITCH (RIGHT ANGLE)	
<input checked="" type="checkbox"/> CRITICAL <input checked="" type="checkbox"/> MAJOR <input type="checkbox"/> MINOR <input type="checkbox"/> SPC		PART NO. D-A0246-XXXX-XXXX		SIZE A4 1 OF 2 XX	
00 RELEASE FOR MARKETING: 04/05/99 THING SEAH SEAH RYU DESCRIPTION DATE DRN CHK APPR ITEM QTY DESCRIPTION PART NO.		REVISIONS REFERENCE DRAWING		SCALE 4:1	

