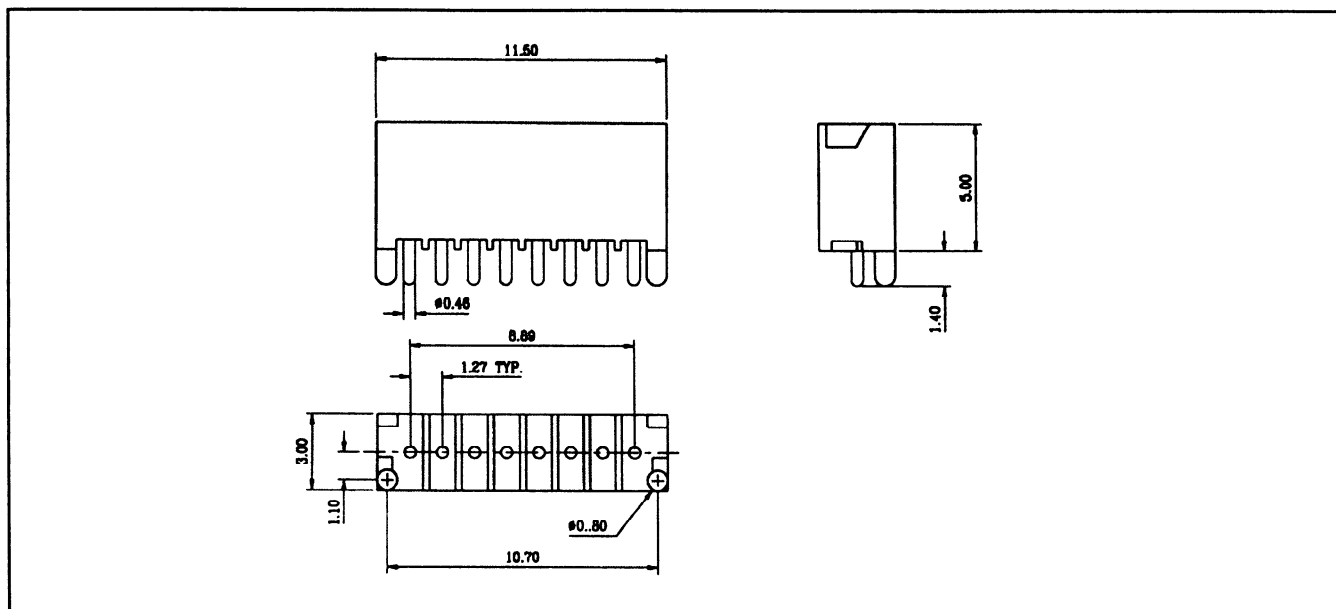


Ranoda

0149

1.27 mm board to board



Features

- * High Density board to board Contact
1.27 mm pitch.
Reliable machine socket for repeated cycles.
Mates with 0147.
- * Material : Housing - High temperature plastic UL 94v - 0.
 Contact - Beryllium copper.
- * Plating : 10 micro inch Gold Contact / 100 micro inch Pb/sn on soldertail.
- * Temperature : -40° C to 105° C
- * Electrical : Current 1Amp.
 Insulation resistance 5000 m ohms.
 Dielectric 500 VAC 1 min.

Order Information

Part Number	Plating - Contact	Plating Soldertail	Remarks
0149 - 0800	10 micro inch Gold	100 micro inch Pb/sn	