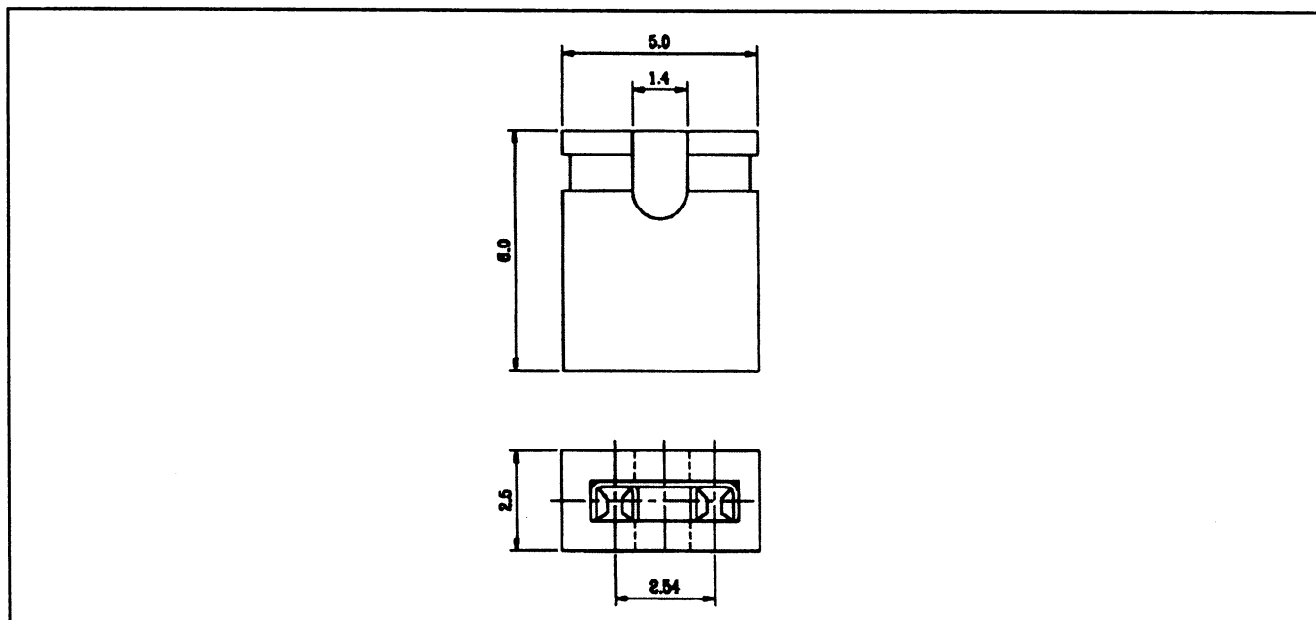


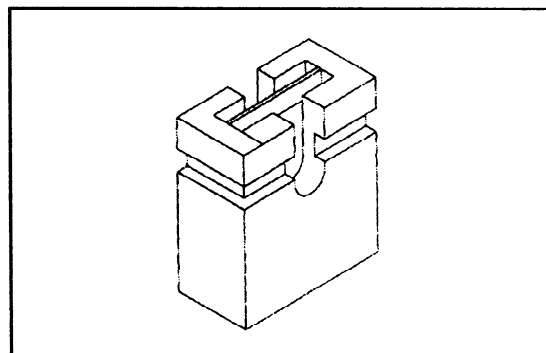
Ranoda

0116



Features

- * Low Profile Shunt for critical PCB needs.
Easy extraction with latch.
- * Material : Housing - PBT 94V - 0
Contact - Phosphor Bronze
- * Plating : Selective Gold on Contact
- * Temperature : - 45°C to 105°C
- * Electrical : Current 1 Amp.
Insulation resistance 5000 M ohms.
Dielectric 500 VAC.



Order Information

Part Number	Plating	Remarks
0116 - 0203	100 u" Pb/sn	
0116 - 0210	Gold Flash	
0116 - 0220	15 u" Gold	
0116 - 0230	30 u" Gold	
0116 - 0200		Open Options, call sales