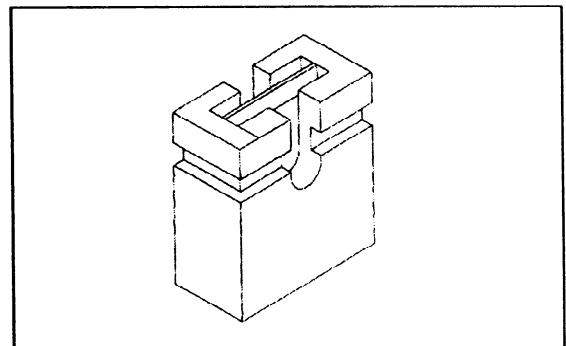


## Features

- \* Low Profile Shunt for critical PCB needs.  
Easy extraction with latch.
- \* Material :     Housing - PBT 94V - 0  
                  Contact - Phosphor Bronze
- \* Plating :        Selective Gold on Contact
- \* Temperature : - 45 °C to 105 °C
- \* Electrical :    Current 1 Amp.  
                  Insulation resistance 5000 M ohms.  
                  Dielectric 500 VAC.



## Order Information

Part Number	Plating	Remarks
0042 - 0203	100 u" Pb/sn	
0042 - 0210	Gold Flash	
0042 - 0220	15 u" Gold	
0042 - 0230	30 u" Gold	
0042 - 0200		Open Options, call sales